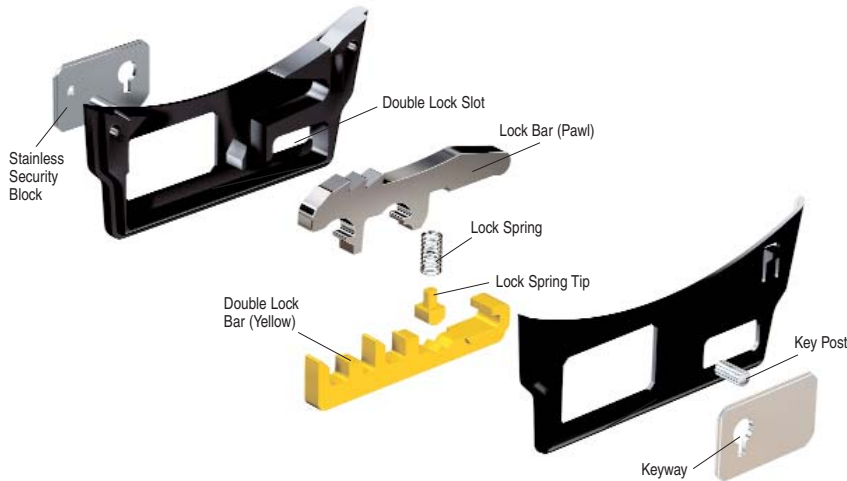


# ASP FACTS

## PRODUCT: Replaceable Lock Set



### ADVANTAGE:

Replaceable Lock Sets allow rapid servicing and repair of worn Tactical Handcuffs. Missing key posts, chipped teeth, fatigued springs or sticking double lock bars are easily replaced. Rusty or debris clogged lock mechanisms can be rapidly repaired to like new condition without sacrificing the basic cuff. Alternative domestic, foreign and high security replacement sets are available.

### SPECIFICATION:

- Snap-in Lock Set
- Replaceable
- Two-sided keyway
- Stainless steel keyway
- Welded steel post
- Two-sided lock bar (pawl)
- Lightweight double lock bar
- Two-sided double lock bar
- Color coded double lock indicator:
 

Yellow	1 Pawl	Standard
Blue	2 Pawl	High Security
Green	3 Pawl	European
Red	Slip Pawl	Training
- Same direction single and double lock release
- Cannot be removed while the cuff is in place
- Complies with NIJ Standard 0307.01

### PERFORMANCE:

Replaceable Lock Sets make Tactical Handcuffs the most versatile, durable and repairable handcuffs on the market. The Lock Set cannot be removed while the handcuff is in place on a subject.

### SALES STRATEGY:

*Demonstrate the ease with which Lock Sets can be replaced. Use the ClearView® Cutaway to show the strength and simplicity of the replaceable Lock Set.*

